

ENGINE GEARBOX SUPPORT

50840



1750mm



HOOK AND HANDLE
FOR REF. 50840

51452



53682



1480mm



UNIVERSAL ENGINE SUPPORT

52055



- Adaptable to any kind of automobiles and vans.
- Ideal for changing the timing belt and auxiliary belt.
- Simple use.
- Fast positioning; only one worker is needed.
- Perpendicular piece with turn angle. It's adjustable to any length of the longitudinal bar.
- Adjustable hook height, 360° hook rotation.
- Plastic tray to prevent the footing bar shift.



UNIVERSAL ENGINE STAND

50836



850mm

900mm

800mm



50838



900mm

1,100mm

900mm



- Folded dimensions: 100 x 50 x 44cm.



MOTORCYCLE STAND LIFT

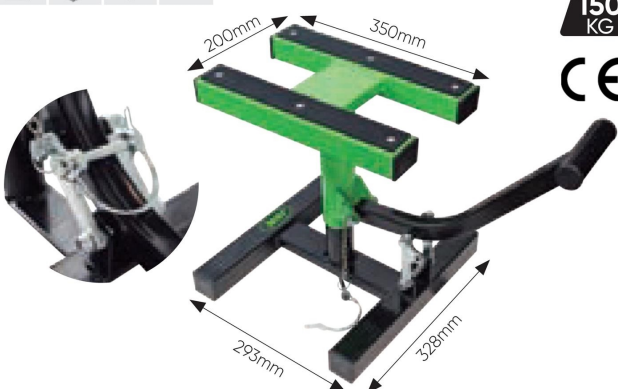
53969



328mm

293mm

400mm
300mm



MOTORCYCLE STAND LIFT JACK

52692



400mm
95mm

- Operated with 21mm socket.

150mm

450mm

